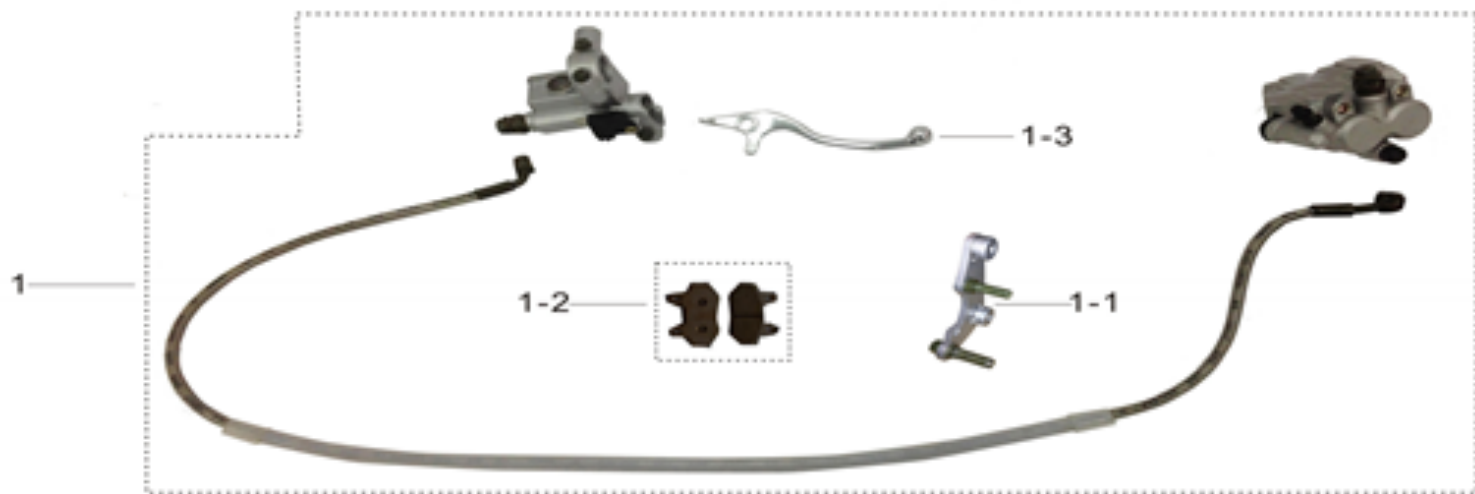


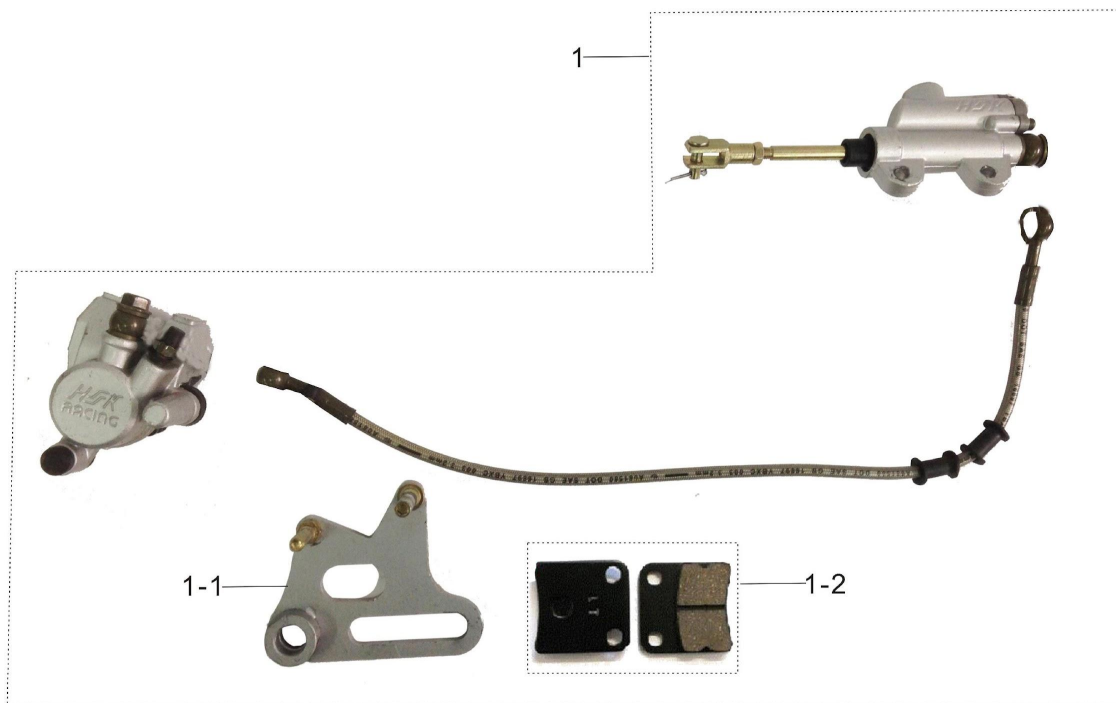
方向把总成

| | | |
|----|----------------|---------------------|
| 1 | 602006-0003-02 | Right grip |
| 2 | 602012-0001 | throttle perch tube |
| 3 | 602011-0003 | throttle perch |
| 4 | 602017-0002 | handle bar foam |
| 5 | 602001-0002 | steel handle bar |
| 6 | 602013-0016 | clutch cable |
| 7 | 313003-0015 | stop switch |
| 8 | 602006-0003-02 | left grip |
| 9 | 602014-0010 | throttle cable |
| 10 | 602007-0024-02 | clutch lever assy |
| 11 | 602009-0004 | clutch lever |
| 12 | 602006-0004-02 | Right grip |



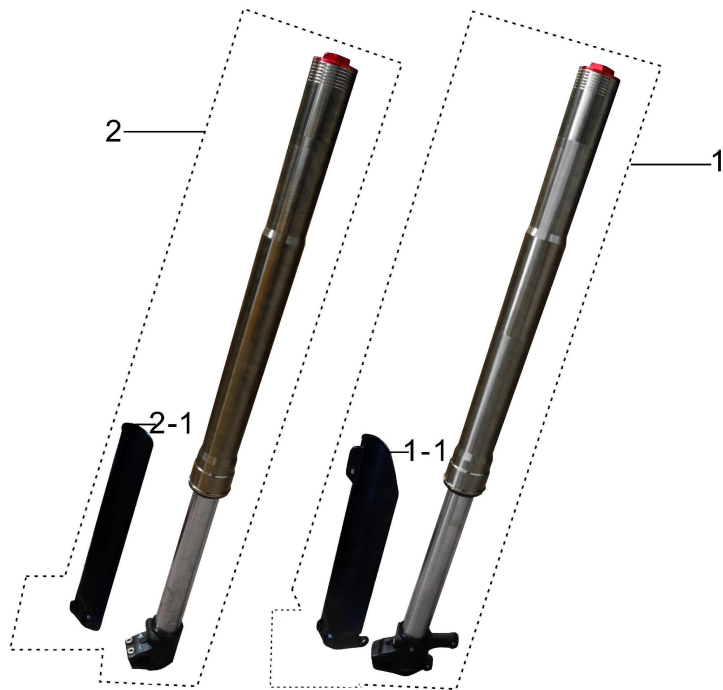
前制动总成

| | | |
|-----|-------------|-----------------------|
| 1 | 404000-0039 | front brake assy |
| 1-1 | 404008-0001 | front brake bracket |
| 1-2 | 404007-0004 | front brake pad |
| 1-3 | 404002-0007 | unfolding brake lever |



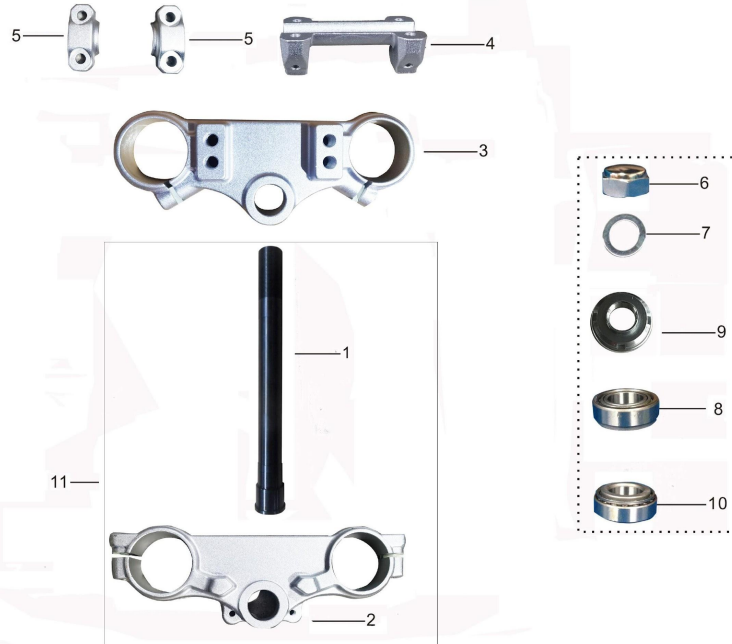
后制动总成

| | | |
|-----|----------------|--------------------|
| 1 | 405000-0032-02 | rear brake |
| 1-1 | 405009-0002 | rear brake bracket |
| 1-2 | 405008-0001 | rear brake pad |



前减总成

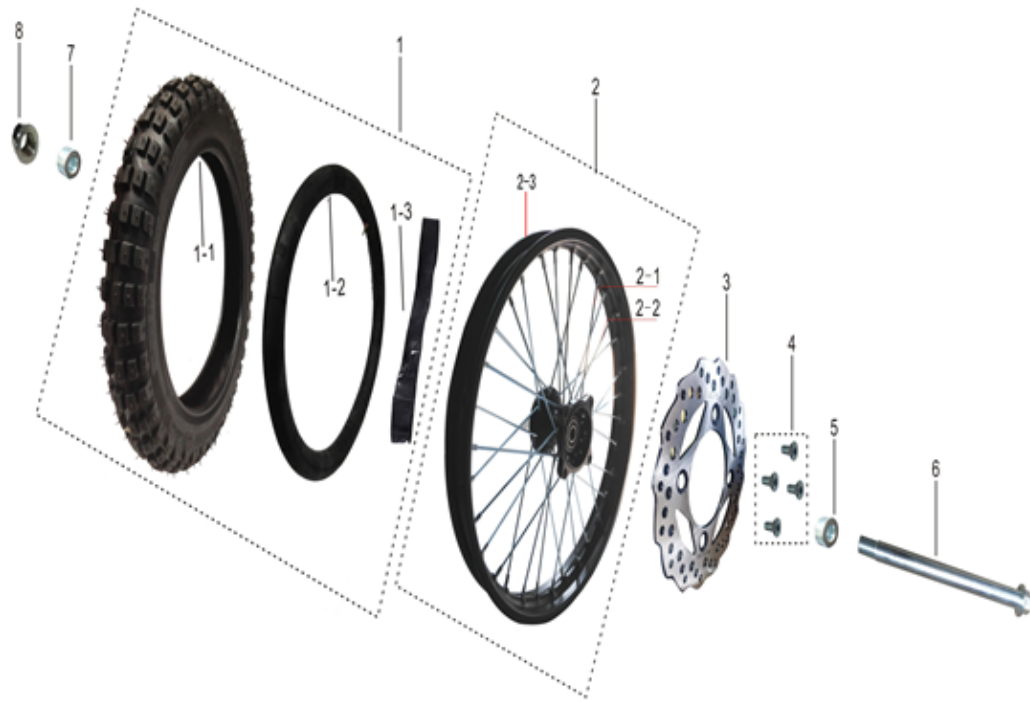
| | | |
|------|----------------|-----------------------|
| 1 | 501000-0039-03 | left front fork |
| 1--1 | 501001-0003 | front left protector |
| 1 | 501000-0040-03 | right front fork |
| 2--1 | 501001-0004 | front right protector |



联板总成

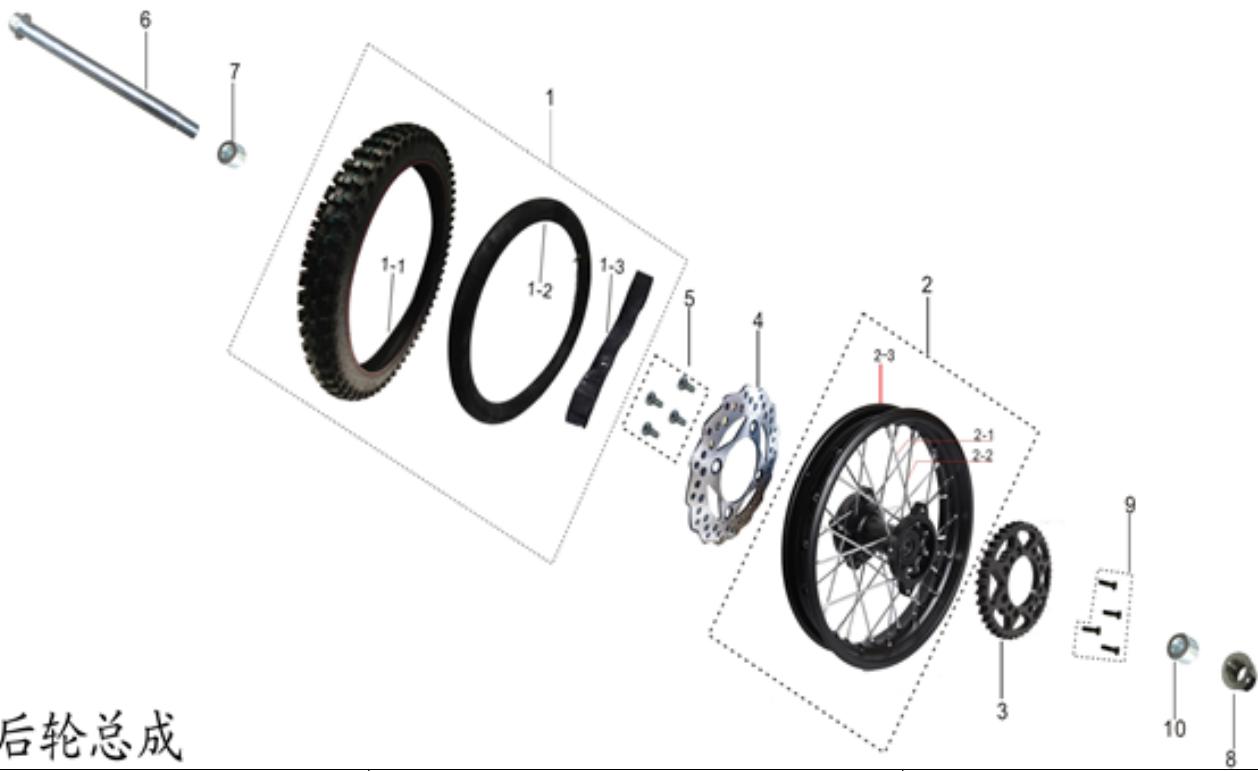
| | | |
|---|-------------|-----------------|
| 1 | 601006-0025 | steering column |
| 2 | 601002-0022 | lower clamp |
| 3 | 601001-0026 | upper clamp |
| 4 | 601004-0022 | lower raiser |
| 5 | 601003-0017 | upper raiser |
| 6 | 601005-0001 | nut |

| | | |
|----|-------------|------------------|
| 7 | 601005-0012 | washer |
| 8 | 907002-0006 | bearing |
| 9 | 601005-0008 | dust seal |
| 10 | 907002-0007 | bearing |
| 11 | C90002-0011 | lower clamp assy |



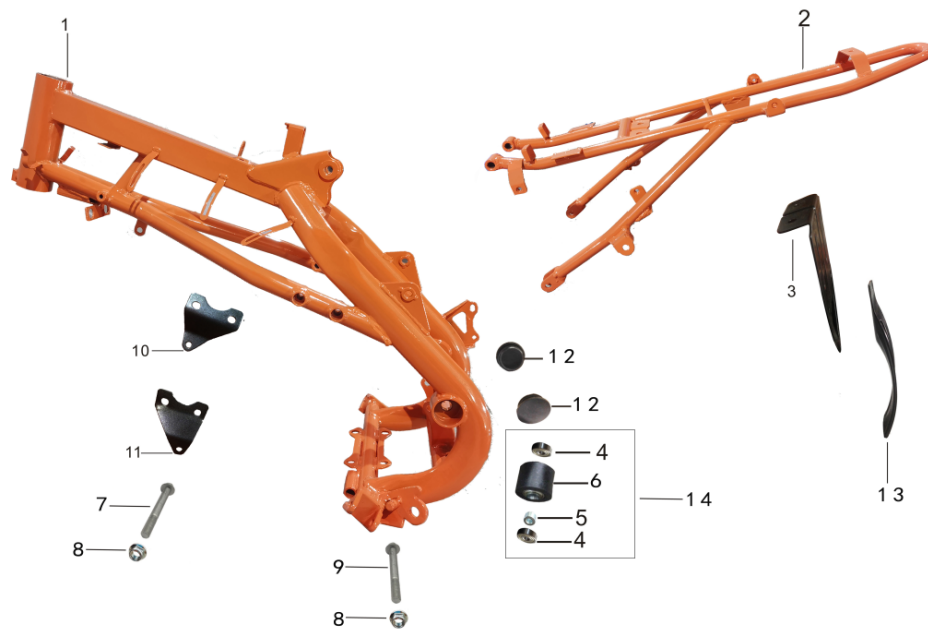
前轮总成

| | | |
|-----|----------------|--------------------|
| 1 | 401005-0039 | tire/tube assembly |
| 1-1 | 401006-0049 | front tyre |
| 1-2 | 401007-0012 | inner tube |
| 1-3 | 401008-0003 | lining belt |
| 2 | 401000-0026-02 | front rim assy |
| 2-1 | 401004-0009 | spoke |
| 2-2 | 401004-0010 | spoke |
| 2-3 | 401002-0004 | steel rim |
| 3 | 404001-0020 | front brake disc |
| 4 | 404011-0001 | bolt |
| 5 | 902001-0067 | bushers |
| 6 | 901001-0029 | flange axle |
| 7 | 902001-0062 | bushers |
| 8 | 903007-0009 | nut |



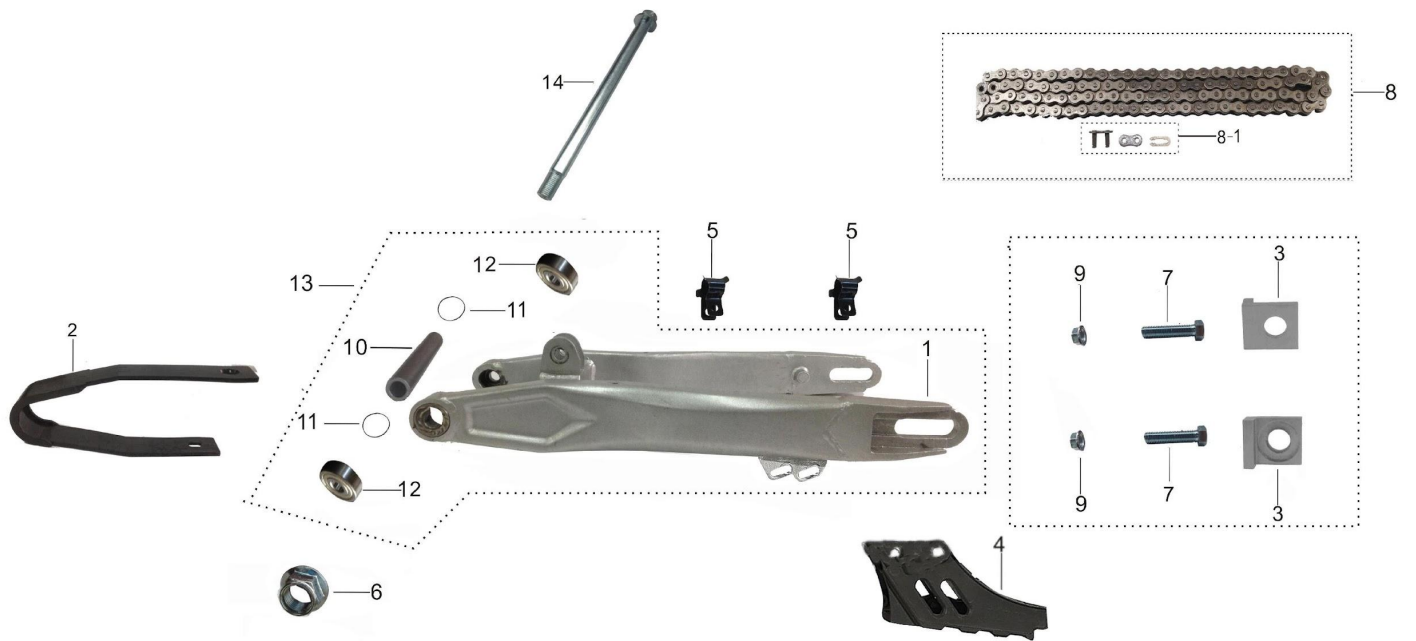
后轮总成

| | | |
|-----|----------------|------------------------------------|
| 1 | 402005-0039 | rear tire assy (tire, tube, liner) |
| 1-1 | 402006-0040 | rear tyre |
| 1-2 | 402007-0009 | inner tube |
| 1-3 | 401008-0002 | lining belt |
| 2 | 402000-0030-02 | rear rim assy |
| 2-1 | 402004-0007 | spoke |
| 2-2 | 402004-0006 | spoke |
| 2-3 | 402002-0002 | steel rim |
| 3 | 205001-0036 | steel rear sprocket |
| 4 | 405001-0018 | rear brake disc |
| 5 | 404011-0001 | bolt |
| 6 | 901001-0033 | flange axle |
| 7 | 902001-0071 | busher |
| 8 | 903007-0009 | nut |
| 9 | 903014-0006 | screw |
| 10 | 902001-0066 | busher |



车架总成

| | | |
|----|----------------|---------------------------------|
| 1 | 551000-0105-04 | frame assy. |
| 2 | 552000-0029-02 | sub frame assy. |
| 3 | 555000-0059 | battery box with fender bracket |
| 4 | 907001-0001 | bearing |
| 5 | 902001-0003 | busher |
| 6 | 203004-0014 | chain roller |
| 7 | 903018-0025 | bolt |
| 8 | 903007-0005 | nut |
| 9 | 903018-0022 | bolt |
| 10 | 555000-0125 | engine right mounting point |
| 11 | 555000-0124 | engine left mounting point |
| 12 | 908004-0008 | swing arm plug |
| 13 | 801004-0008 | rear fender |
| 14 | C90002-0012 | rubber chain roller assy |



平叉总成

| | | |
|-----|----------------|----------------------|
| 1 | 553000-0061 | steel swing arm |
| 2 | 203004-0031 | chain slider |
| 3 | 203002-0001-06 | alloy chain adjuster |
| 4 | 203004-0036-01 | chain guide |
| 5 | 405010-0003 | oil pipe clip |
| 6 | 903007-0008 | nut |
| 7 | 903017-0007-03 | bolt |
| 8 | 203000-0068 | chain |
| 8-1 | 203001-0004 | chain clip |
| 9 | 903005-0006 | nut |
| 10 | 902001-0112 | busher |
| 11 | 908005-0006 | O-ring |
| 12 | 907001-0015 | bearing |
| 13 | C90002-0013 | steel swing arm assy |
| 14 | 901001-0018 | flange axle |



后减总成

| | | |
|---|-------------|------------------|
| 1 | 502000-0035 | rear shock assy. |
|---|-------------|------------------|



刹车踏板总成

| | | |
|---|----------------|-------------------|
| 1 | 406001-0033-02 | brake pedal |
| 2 | 407003-0009 | rear brake spring |



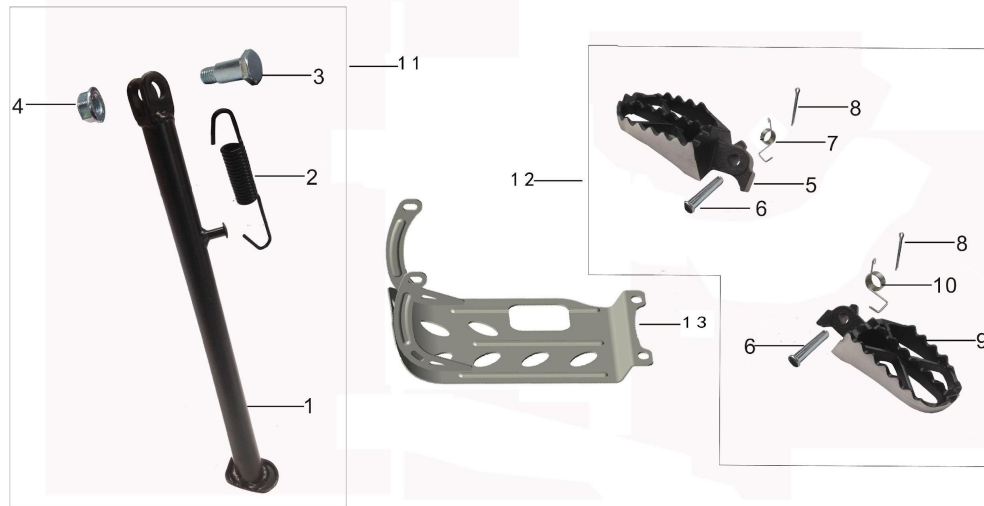
发动机总成

| | | |
|---|-------------|--------------|
| 1 | 101000-0577 | engine assy. |
|---|-------------|--------------|



油冷器组件

| | | |
|---|-------------|-------------------|
| 1 | 103001-0003 | oil cooler |
| 2 | 103002-0005 | oil cooler pipe A |



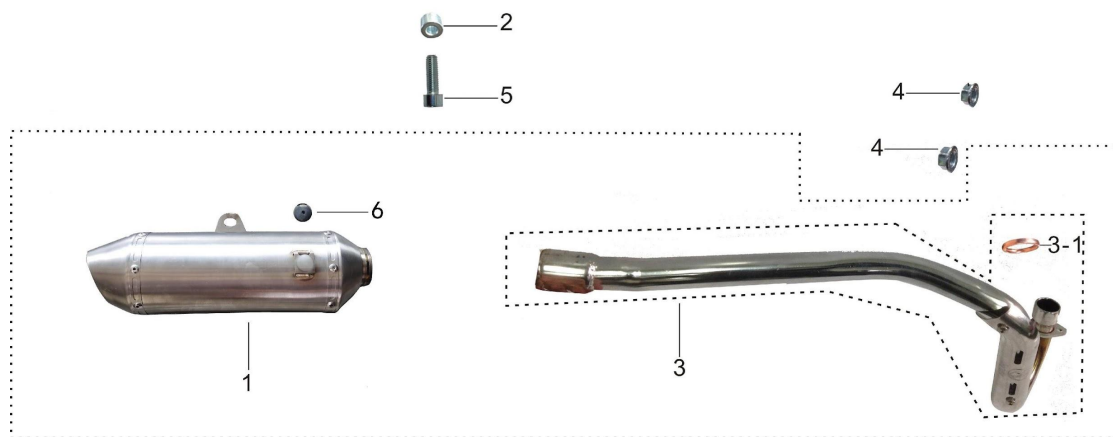
单撑与脚踏组件

| | | |
|----|----------------|-------------------------|
| 1 | 554000-0032 | side stand |
| 2 | 407002-0001 | side stand spring |
| 3 | 903020-0001 | bolt |
| 4 | 903006-0005 | nut |
| 5 | 506003-0013-01 | right footpeg assy. |
| 6 | 904001-0002 | hinger pin |
| 7 | 407001-0007 | right footpeg spring |
| 8 | 904002-0002 | cotter pin |
| 9 | 506003-0012-01 | left footpeg assy. |
| 10 | 407001-0006 | left footpeg spring |
| 11 | C90002-0014 | side stand assy |
| 12 | C90002-0015 | cast steel footpeg assy |
| 13 | 109001-0003-02 | steel plate |



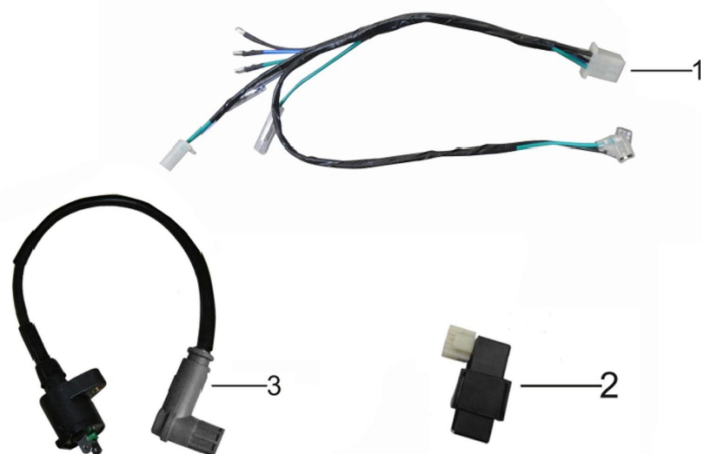
化油器与空滤器总成

| | | |
|---|-------------|-------------------|
| 1 | 102000-0057 | carburetor |
| 2 | 105000-0033 | air filter assy |
| | 105002-0003 | air filter mesh |
| | 105002-0001 | air filter sponge |
| | 105002-0002 | air filter sponge |



消音器总成

| | | |
|-----|-------------|---------------------------|
| 1 | 106002-0038 | muffler |
| 2 | 908007-0052 | muffler heat-proof string |
| 3 | 106001-0106 | exhaust pipe |
| 3-1 | 106003-0002 | muffler pipe seal gasket |



电器组件

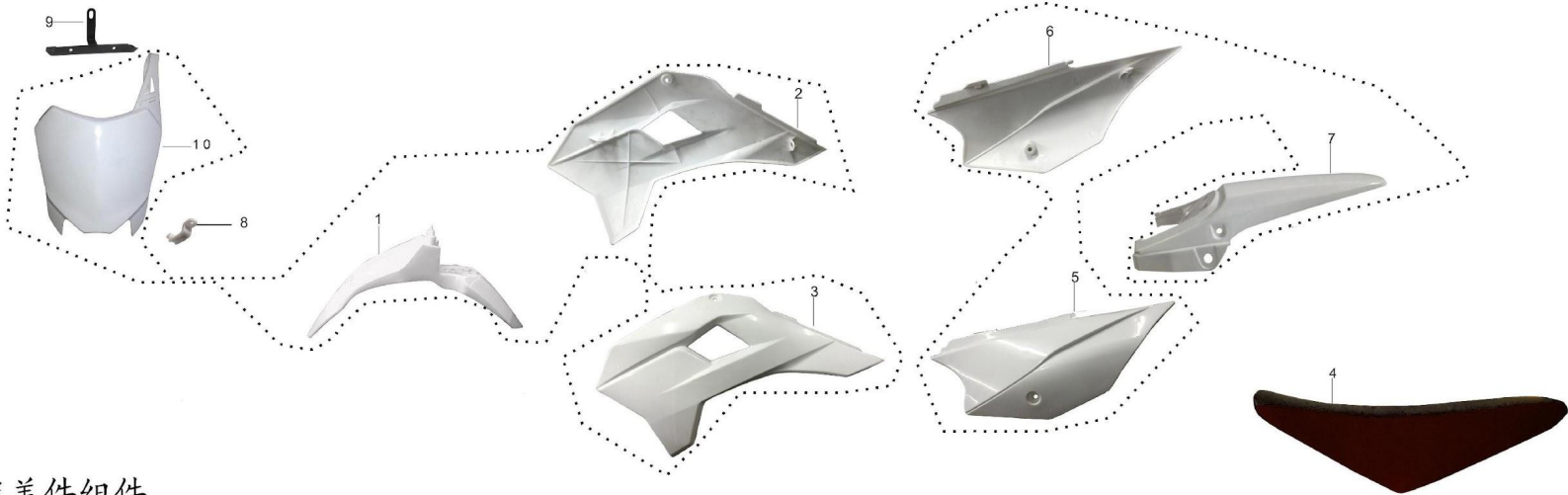


| | | |
|---|----------------|-------------------|
| 1 | 309001-0136 | main cable |
| 2 | 303001-0001 | CDI |
| 3 | 306001-0001 | ignition coil |
| 5 | 302001-0002 | Voltage regulator |
| 6 | 301001-0001 | Relay |
| 7 | 314001-0003-03 | Electric key |
| 8 | 312001-0044 | Battery |
| 9 | 908007-0021 | Battery belt |



油箱总成

| | | |
|-----|----------------|-------------------|
| 1 | 805001-0020 | fuel tank assy. |
| 1-1 | 805004-0008 | petcock |
| 2 | 805005-0001-06 | One-way air valve |
| 3 | 805003-0004 | fuel tank cover |



覆盖件组件

| | | |
|---|----------------|-------------------|
| 1 | 801013-0002 | front mud guard |
| 2 | 801007-0002-03 | front right cover |
| 3 | 801007-0001-03 | front left cover |
| 4 | 701000-0004-05 | seat assy. |

| | | |
|----|----------------|-------------------|
| 5 | 801007-0003 | rear left cover |
| 6 | 801007-0004 | rear right cover |
| 7 | 801004-0007-05 | rear center cover |
| 8 | 801003-0011 | Line card |
| 9 | 555000-0137 | panel bracket |
| 10 | 801013-0001-02 | Front Panel |



| | | |
|---|-------------|---------------|
| 1 | 802007-0372 | sticker |
| | 802007-0373 | sticker |
| | 802018-0116 | padding cover |